



JOB	
MODEL	125 Gas
ITEM #	

**High temperature pizza oven. Cooking range is from 600f to 750f.**

**CLEARANCES:** Install the oven with a minimum 2” clearance on sides and back from combustible construction. Noncombustible materials **ONLY** for façade front. 24” clearance from the dome of the oven to combustible materials.

Hearth capacity	
12” Pizzas	14
16” Pizzas	6

. Installation through any 36” opening door way. All ovens are

installed by a factory representative only.

**FOR DIRECT VENTING:**

**Recommended -DIRECT VENTING:** Use 8” Grease duct

connection pipe material must be constructed and installed as a grease duct, in accordance with UL 1978 / NFPA 96 and/or the International Mechanical Code.

1. **Direct Connection** can be to a (power ventilated) grease rated duct, where permitted by local code. All fans on direct vent should be roof mounted and have a variable speed control switch preferably near oven front.
2. **Option - A listed Type 1 Exhaust Hood** or one that is constructed and installed in accordance with NFPA 96 or the International Mechanical Code, and all relevant local and national codes

**Solid Fuel Ovens** -Due to the possibility of sparks entering the duct, exhaust systems serving SOLID FUEL equipment **MUST NOT** be combined with exhaust systems serving other (non-solid fuel) cooking equipment.

**Follow all local codes for venting as well as manufactures installation specifications. Submit all plans for approval before installation of any venting.**

**WEIGHT: 3,400 lbs. depth 73” x 71” wide**



4008973

CONFORMS TO UL SUB 2162,ANSISTD283.311

CONFORMS TO NSF /ANSI STD 4 CERTIFIDE TOCSA STD 1.8ULC/ORDSTDC2162 FOOD SERVICE EQUIPMENT

The oven should be installed in accordance with all relevant local and national codes and in a manner acceptable to the authority having jurisdiction.

**Specifications for Gas Models**

**UTILITIES ½ NPT CONNECTION**

116,000 BTU Natural Gas (max) 177,000 BTU Propane (max)

**ELECTRICAL SUPPLY:**

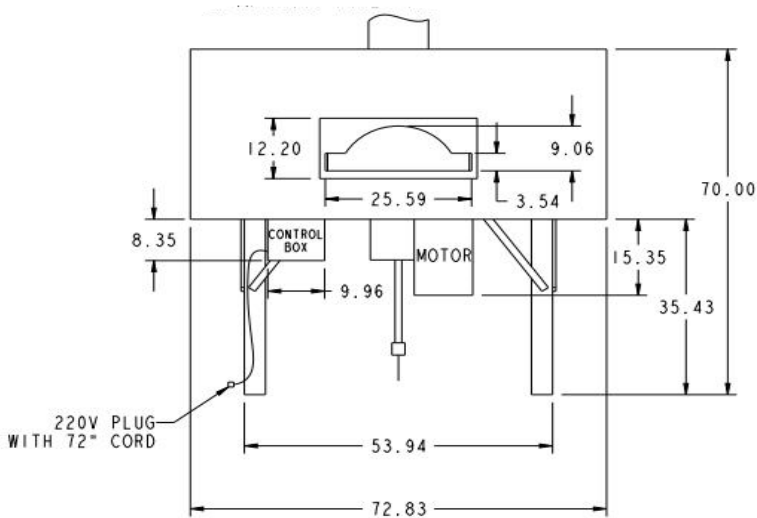
Have a licensed electrician install (1) 115v-15amp outlet with proper grounds and (1) 220V 30 amp single phase line. Plug type NEMA L6-30P.

**Electrical Code Limitations:**

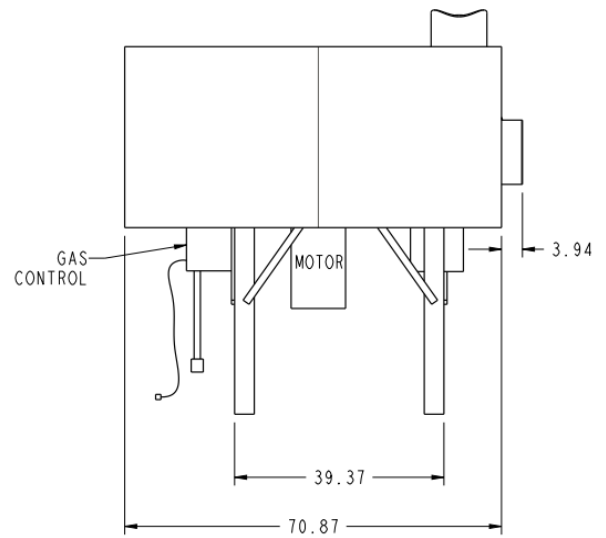
This appliance must be electrically grounded in accordance with local codes, or in the absence of local codes, with the National Electrical code, ANSI/NFPA 70

**Follow all local codes and submit all plans for approvals**

**FRONT VIEW**



**LEFT SIDE VIEW**



**Top View**