



High temperature pizza oven. Cooking range is from 625 f to 775f.

JOB	
MODEL	140 gas revolving oven
ITEM #	

CLEARANCES: Install the oven with a minimum 2” clearance on sides and back from combustible construction. Noncombustible materials ONLY for façade front. 24” clearance from the dome top of the oven to combustible materials.

Hearth capacity	
12” Pizzas	14
16” Pizzas	5



Installation through any 36” opening door way. All ovens are installed by a factory representative only.

CONFORMS TO UL SUB 2162,ANSISTD283.311

CONFORMS TO NSF /ANSI STD 4 CERTIFIDE TO CSA STD 1.8ULC/ORDSTD C2162 FOOD SERVICE EQUIPMENT

4008973

FOR DIRECT VENTING: Use 8” Grease duct connection pipe material must be constructed and installed as a grease duct, in accordance with UL 1978 / NFPA 96 and/or the International Mechanical Code.

- Direct Connection** can be to a power ventilated grease rated duct, where permitted by local code. All fans on direct vent should be roof mounted and have a variable speed control switch preferably near oven front.
- A listed Type 1 Exhaust Hood** or one that is constructed and installed in accordance with NFPA 96 or the International Mechanical Code, and all relevant local and national codes
The oven must be installed in accordance with all relevant local and national codes,

Solid Fuel Ovens -Due to the possibility of sparks entering the duct, exhaust systems serving SOLID FUEL equipment MUST NOT be combined with exhaust systems serving other (non-solid fuel) cooking equipment.

Follow all local codes and submit all plans for approval before installation of any venting.

Utility Specifications for Gas Models

Gas ½ NPT CONNECTION 116,000 BTU Natural Gas (max)

177,000 BTU Propane (max) **Regulator Required**

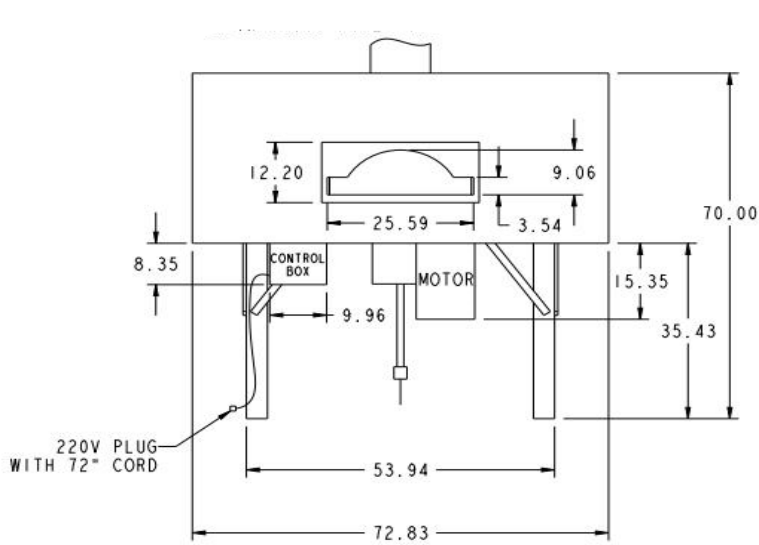
ELECTRICAL SUPPLY: Have a licensed electrician install (1) 110v-15amp outlet with proper grounds and (1) 240V amp single phase line. Plug type NEMA 620

Electrical load 13.5 amp 240V. 115 V 3amp

Electrical Code Limitations: This appliance must be electrically grounded in accordance with local codes, or in the absence of local codes, with the National Electrical code, ANSI/NFPA 70

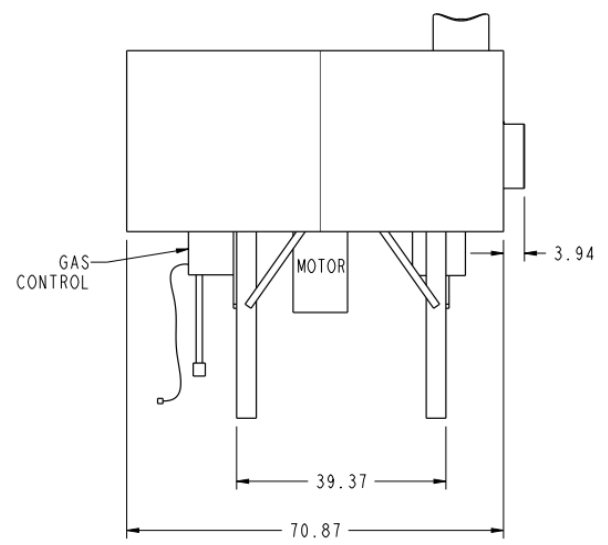
Follow all local codes and submit all plans for approvals.

FRONT VIEW



115 v 72 inch cord

LEFT SIDE VIEW



½ gas connection only

Top View

