



JOB	
MODEL	125 Gas
ITEM #	

High temperature pizza oven. Cooking range is from 600f to 750f.

CLEARANCES: Install the oven with a minimum 2” clearance on sides and back from combustible construction. Noncombustible materials **ONLY** for façade front. 24” clearance from the dome of the oven to combustible materials.

Hearth capacity	
12” Pizzas	14
16” Pizzas	6

. Installation through any 36” opening door way. All ovens are

installed by a factory representative only.

FOR DIRECT VENTING:

Recommended -DIRECT VENTING: Use 8” Grease duct

connection pipe material must be constructed and installed as a grease duct, in accordance with UL 1978 / NFPA 96 and/or the International Mechanical Code.

1. **Direct Connection** can be to a (power ventilated) grease rated duct, where permitted by local code. All fans on direct vent should be roof mounted and have a variable speed control switch preferably near oven front.
2. **Option - A listed Type 1 Exhaust Hood** or one that is constructed and installed in accordance with NFPA 96 or the International Mechanical Code, and all relevant local and national codes

Follow all local codes for venting as well as manufactures installation specifications. Submit all plans for approval before installation of any venting. Oven must be in a room with positive air pressure and pulling air through the front for oven to operate efficiently. See Enervex Fans - <https://enervex.com/products/pizza-oven-fan>

WEIGHT: 3,400 lbs. depth 73” x 71” wide

The oven should be installed in accordance with all relevant local and national codes and in a manner acceptable to the authority having jurisdiction.



4008973

CONFORMS TO UL SUB 2162,ANSISTD283.311

CONFORMS TO NSF /ANSI STD 4 CERTIFIDE TOCSA STD 1.8ULC/ORDSTDC2162 FOOD SERVICE EQUIPMENT

Specifications for Gas Models

UTILITIES ½ NPT CONNECTION

116,000 BTU Natural Gas (max) 177,000 BTU Propane (max)

ELECTRICAL SUPPLY:

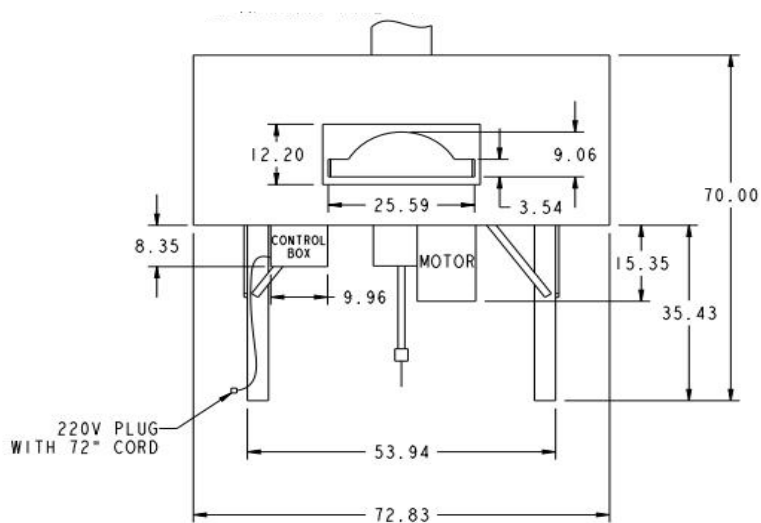
Have a licensed electrician install (1) 115v-15amp outlet with proper grounds and (1) 230V 20 amp single phase line. Plug receptacle type NEMA 6-20. Designated lines only.

Electrical Code Limitations:

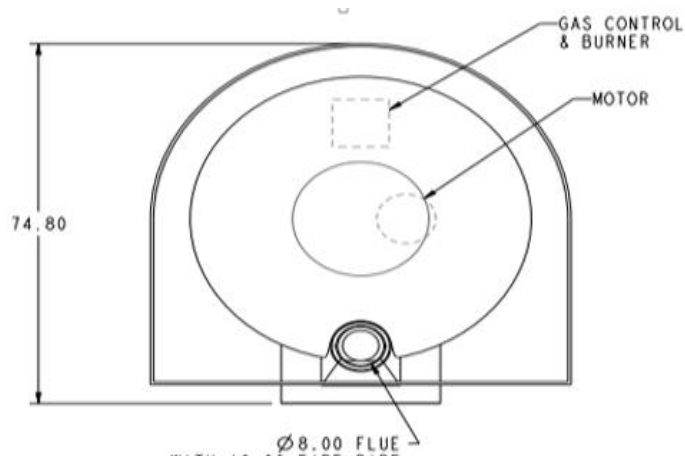
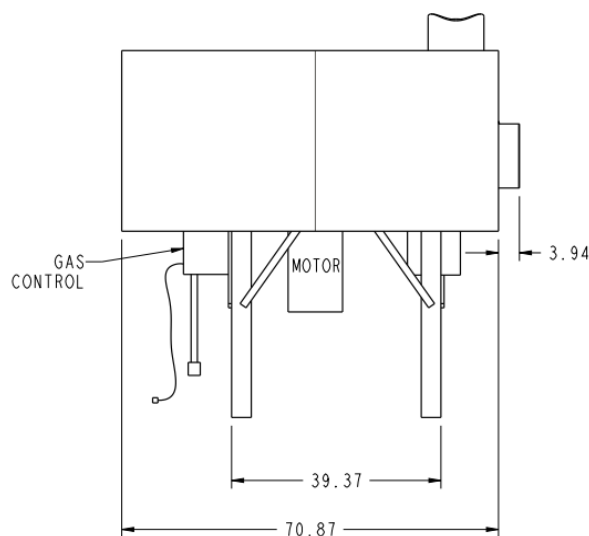
This appliance must be electrically grounded in accordance with local codes, or in the absence of local codes, with the National Electrical code, ANSI/NFPA 70

Follow all local codes and submit all plans for approvals.

FRONT VIEW



LEFT SIDE VIEW



Use 8" interior duct pipe UL 1978