

# Inferno Series Revolving Oven GW 140



High-temperature pizza oven.  
 Cooking range is 650f - 900f  
 Rotating floor, gas temperature-control  
 Wood burning

- Glass heat shield doors
- Glass fire view window
- Granite ledge
- Steel night cover door
- Automatic ignition control
- Rotating floor
- Red metallic finish
- Electric floor heat
- Adjustable floor speed
- Ash clean-out draw
- Facade and dome ready or standalone
- Installation through any 36" doorway.



Hearth Size: 55"	
12" Pizzas	14
16" Pizzas	6

MODEL	140 Inferno Series GW	
ITEM #		
CONFORMS TO UL 737 / 2162, ANSI STD Z83.311 CONFORMS TO NSF / ANSI STD 4 CERTIFIED TO CSA STD 1.8ULC/ORDSTDC2162 FOR FOOD SERVICE EQUIPMENT TESTED AND APPROVED FOR UL 737 DIRECT VENT.		

**WEIGHT: 4500 lbs.**  
**Width 83" Height 73.5" Depth 78"**

*All ovens are installed only by a factory representative on location*

**FOR DIRECT VENTING:** It is never appropriate to use "B vent" in any part of an exhaust system connected to your oven. All duct material must be manufactured to the following specifications: UL1978 and/or UL 2221 - NFPA 96 and the International Mechanical Code.

# Inferno Series Revolving Oven GW 140



This is a wood/gas combination oven and must be vented as a "solid fuel" appliance. Due to the possibility of sparks entering the system, exhaust systems serving solid fuel equipment must be vented separately from other non-solid fuel equipment. The duct serving this oven should be inspected at least twice a month during the first two months of operation, to establish rate of creosote or any buildup and necessary cleaning schedule. Venting should have clean-out doors according to code. Submit venting plans to your local authorities before proceeding with your installation, as there may be additional requirements in your area.

## Manufacturer venting recommendations:

**DIRECT VENT:** Use an 8" interior grease duct connection pipe. Direct venting connection can be used with a power ventilator. Follow all manufacturers' instructions on venting pipe construction and installation.

Direct vent manufacturers: [www.duravent.com](http://www.duravent.com)

Exhaust fans must be high-temperature rated. Fan must be mounted at the end of the flu pipe and controlled with a variable speed control switch.

## FAN RECCOMENDATIONS [visit www.enervex.com](http://www.enervex.com)

---

- Enervex GVS012 -016: High-temperature pizza fans
- Variable fan speed control.  
(To balance air-flow and set for proper venting velocity)
- CFM: 450
- Call for free design consultation

# Inferno Series Revolving Oven GW 140



10" CIX3Z (3" INSULATION)  
304/GALVALUME

ITEM NO.	QTY	PART NUMBER	DESCRIPTION	MATERIAL
1	1	CIX3Z-10RFHAC	10" Dia. Flanged Hood Adaptor	304
2	1	CIX3Z-10T90CE	10" Dia. Tee w/ 10" Tap	304/Galvalume
3	1	CIX3Z-10E90CE	10" Dia. 90° Degree Elbow	304/Galvalume
4	2	CIX3Z-10LVCE	10" Dia. Variable Length	304/Galvalume
5	1	CIX3Z-10FANCE	10" Dia. Fan Adaptor	304/Galvalume
6	1	CIX3Z-10NTTCCCE	10" Dia. No Tool Access Tee Cap	304/Galvalume
7	1	CIX3Z-10L36CE	10" Dia. 36" Length	304/Galvalume
8	1	CIX3Z-10L24CE	10" Dia. 24" Length	304/Galvalume
9	2	CIX3Z-10HARP	10" Dia. Half Angle Ring	439
10	2	S-650	Sealant	-

JOB NAME	PIZZA OVEN VENT	PROJECT#	-
COMPANY	NY BRICK OVENS	REVISION	-
	USE THE FOLLOWING INFORMATION TO IDENTIFY THE PROJECT:	DRAWN BY	-
	AUTH: -NY-B-01P APPLIC: -NY-B-	DATE	-
		SHEET#	Sheet 1 of 1
PROJECT FOLDER			

## CLEARANCES

Install the oven with a minimum 2" clearance on all sides from any combustible material.

Noncombustible materials can only be used for façade at the front of the oven.

There must be 24" clearance from the top of the oven to combustible materials.

Follow all local codes for venting as well as venting manufacturers' installation specifications.

Submit all plans for approval before installation of any venting.

## UTILITIES

½" NPT connection - use ½ Lb. PSI regulator and shut-off valve before oven connection.

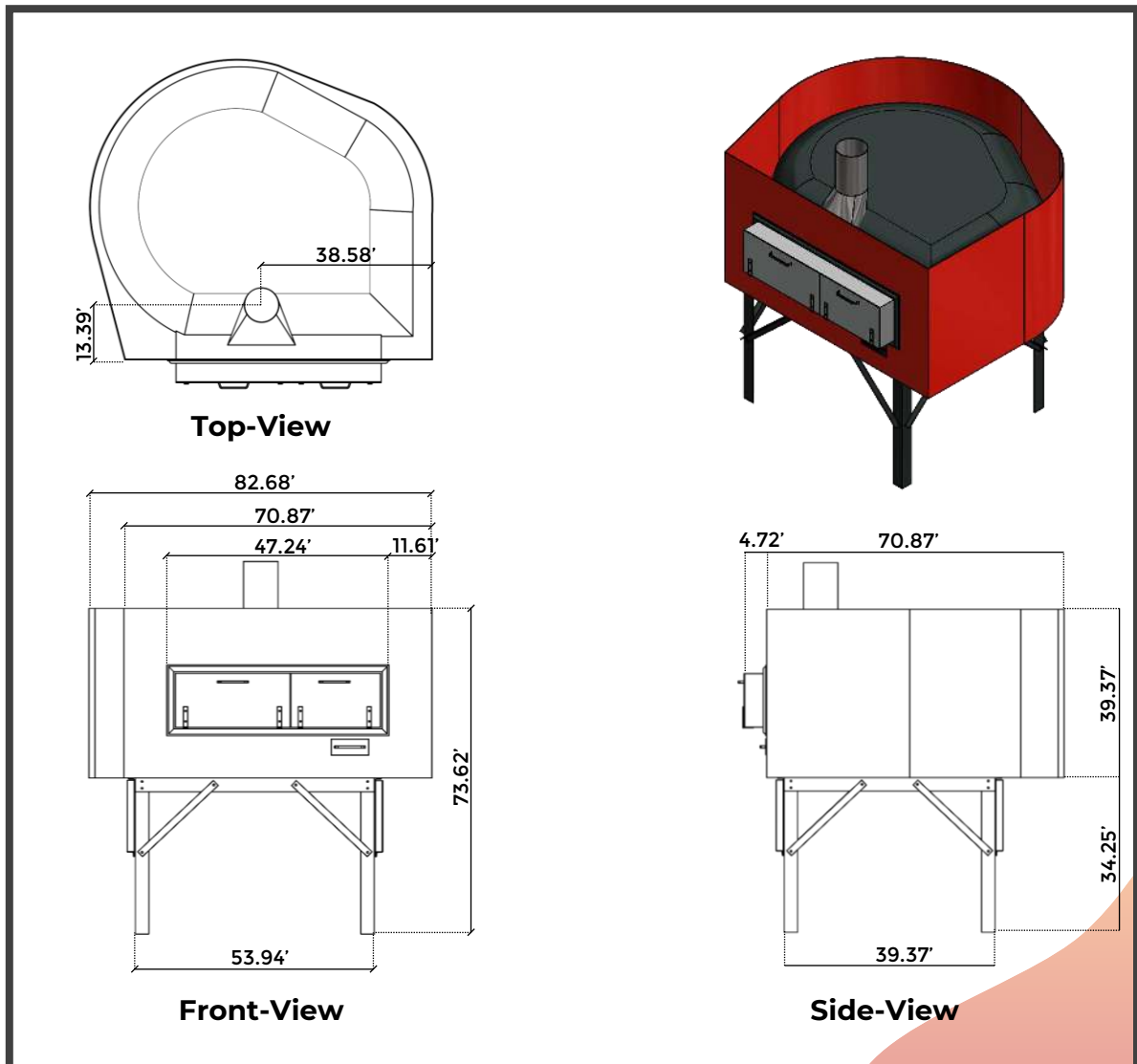
116,000 BTU Natural Gas (max) 177,000 BTU Propane (max)

# Inferno Series Revolving Oven GW 140

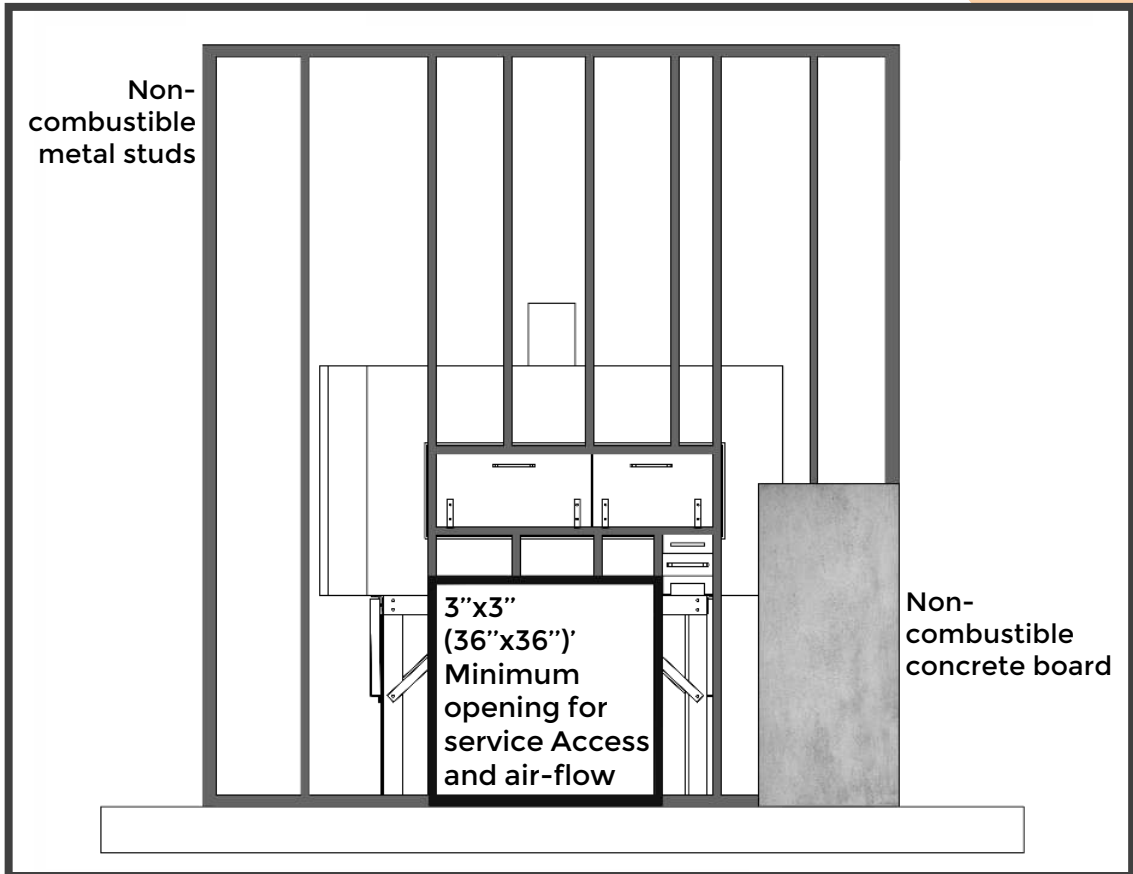


## ELECTRICAL SUPPLY

- (1) 115v-15amp outlet with proper grounds and (1) 208-240V 20-amp single-phase line. Plug receptacle type: NEMA 6-20 Max Load 13.5-amp 230v 115v 1.5 amps. Recommendation: Install separate electrical lines to prevent any overload or surge. Surge protection outlets are recommended.
- (2) Electrical Code Limitations: This appliance must be electrically grounded in accordance with local codes, or in the absence of local codes, with the National Electrical Code, ANSI/NFPA 70. Follow all local codes and submit all plans for approval as required by your municipality.



# Inferno Series Revolving Oven GW 140



## Oven Enclosure

Oven must be framed in with non-combustible materials *only*. Metal studs, backer board, tiles, or brick. See clearance data. Do not use sheetrock on oven façade.

## Important

An accessible entrance must be installed at bottom of oven - approximately 36" x 36" for maintenance of oven and proper air-flow.

# Inferno Series Revolving Oven GW 140



Wood Burning Ovens must be built on noncombustible floor. The Floor must expand 36" from the front of oven and 24" from all sides. Check Weight load and always submit plans for all approvals.

## Warning

You Must Remove "Night Door" whenever igniting the oven or operating the oven. Do Not Operate or start oven with steel door closed ever. Only use the door at nights end to keep heat in. Read Operators Manual before using oven for first time. Following curing procedures. Follow all curing instructions prior to cooking in oven. Use Minimum flame setting for 2 days on low setting only 8 hours per day. Use dry seasoned hard wood only in wood chamber

